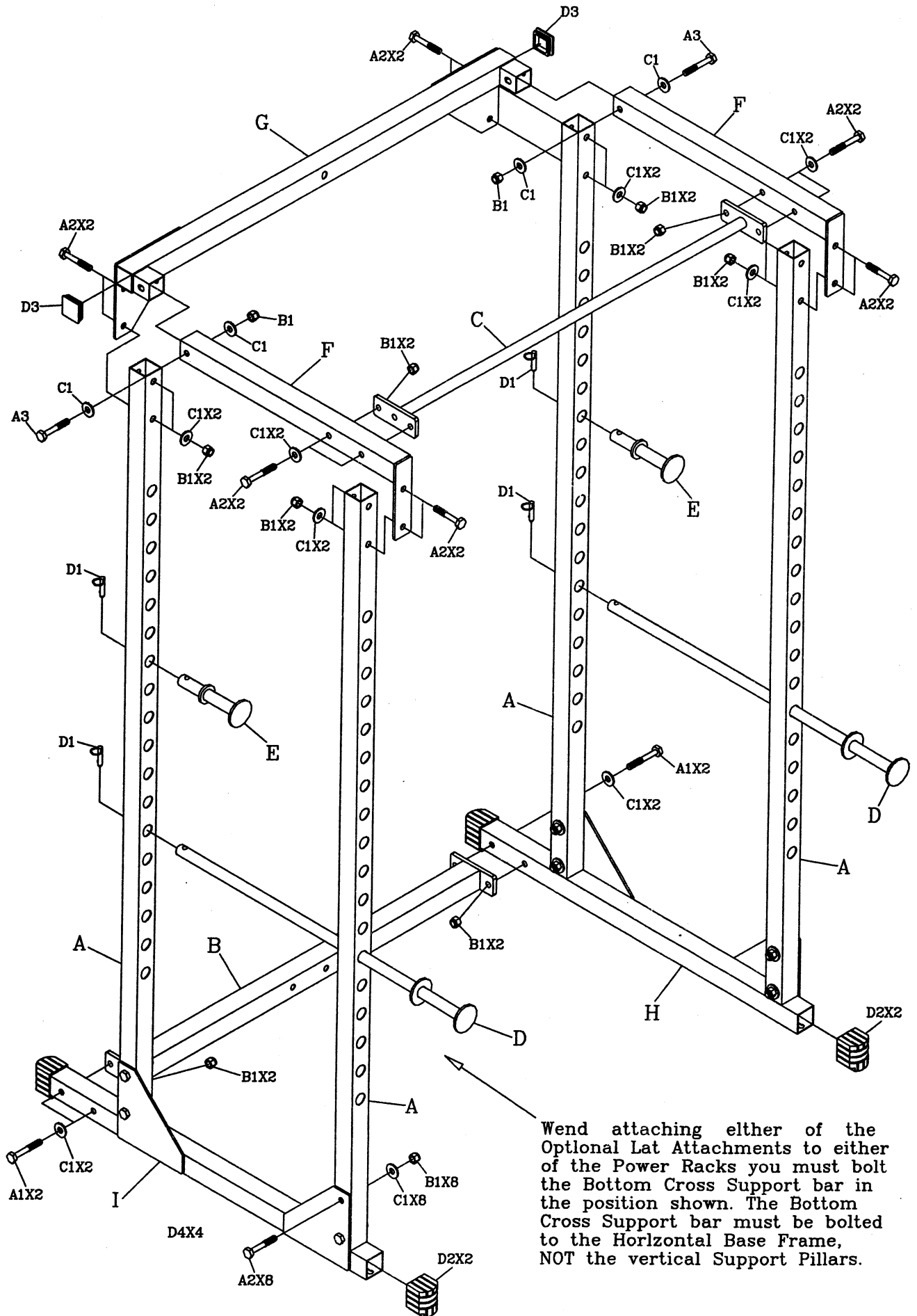


PPR-200



Wend attaching either of the Optional Lat Attachments to either of the Power Racks you must bolt the Bottom Cross Support bar in the position shown. The Bottom Cross Support bar must be bolted to the Horizontal Base Frame, NOT the vertical Support Pillars.